



www.dkaudio.fr

3D Immersive Sound - Ceiling



2 way surround cinema coaxial speaker for 3D immersive systems

P8C

The P8C is a surround high-end cinema speaker, designed to reproduce overhead (ceiling) channels within a 3D immersive system. It can eventually be assisted with DK Audio bass reinforcement module.

The P8C is equipped with a low-mid frequencies 8" (20 cm) loudspeaker, and a 1" high frequency coaxial driver. The P8C only requires a single amplification channel and performs with or without additional processor.

The use of a coaxial loudspeaker allows to reduce as much as possible the height of the enclosure and to have a wide circular and homogeneous directivity, near 95°.

The P8C can be assisted with DK Audio extra-thin bass reinforcement modules: R15 (34.5 cm depth) or either R18EXP (34 cm depth).

Musicality, precision and dynamics are merged with an excellent performance and a wide range of allowable power. This allows P8C to easily reproduce the most sophisticated and constraining sound messages with a studio audio quality.

Its design and ergonomics fits with the immersive 3D audio whitepapers, and thus offers a constant height under ceiling, whatever the vertical inclination.

Orientation pitch: 2.5° vertical and 3° horizontal.

The use of neodymium magnet reduces the speaker weight.

▶ TECHNICAL SPECIFICATIONS

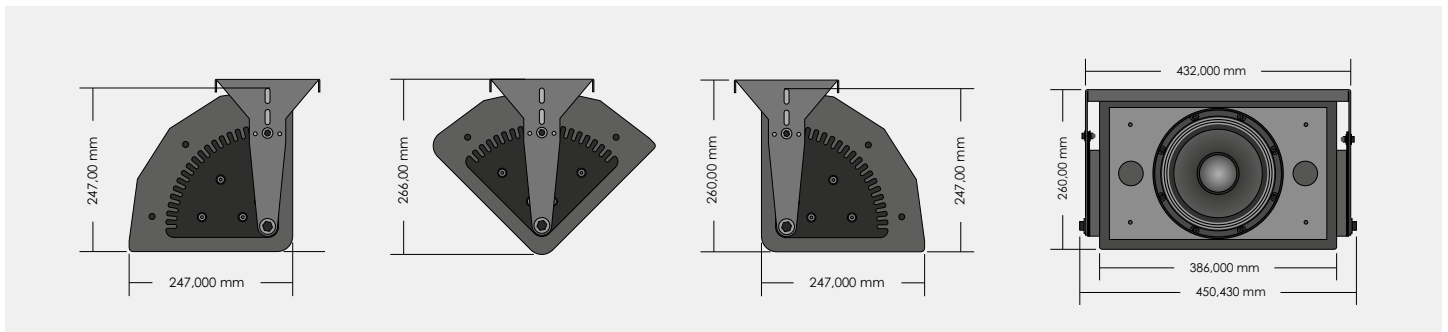
Frequency response ($\pm 3\text{dB}$): **65 Hz - 21 kHz**
 Usable bandwidth (-10dB): **65 Hz - 22 kHz**
 Efficiency (2,83 Vrms @1m): **98 dB**
 AES power capacity: **245 W**
 RMS power capacity: **210 W**
 Advisable amplification: **50 to 500 W**
 Maximum calculated SPL: **120.5 dB**
 Peak calculated SPL: **126.5 dB**
 Impedance: **8 Ω**
 Directivity (-6dB): **95° conical**
 Filtering: **1 kHz passive**

▶ PHYSICAL SPECIFICATIONS

Dimensions HxWxD (mm): **247 x 386 x 247**
 Dimensions with bracket (mm): **260 x 438 x 285**
 Material: **16mm medium wood**
 Finishing: **Black textured paint**
 Connectors: **Universal terminal block**
 Front mask: **Black textile (Jersey) on wooden frame**
 Tilttable bracket: **20/10 steel, black satin oven-baked paint**
 Additional anchors: **6 x M6 secure anchor points**
 Weight: **16.30 Kg (excl. bracket system)**

Compatible with DOLBY® ATMOS and Barco® Auro 11.1

SHAPE DRAWINGS



▶ COMPLEMENTS AND ACCESSORIES

R212: **Twin 12" extra thin (17cm) bass reinforcement**
 R15: **15" thin (34,5 cm) bass reinforcement**
 R18EXP: **18" very thin (34 cm) bass reinforcement**
 PLP8C: **Rectangular mounting plate for ceiling suspension - Steel**
 LYP8C: **P8C tilttable bracket - Steel**
 LYP8CAL : **P8C tilttable bracket - Aluminium**

▶ ACOUSTIC EQUIPMENT

Low/Mid frequency speaker: **1 x 8" with 2" coil, aluminium wire, ferrite magnet**
 Mid/High frequency driver: **1 x 1" with 1.75" coil edge-winding flat aluminium wire, polyester membrane, ferrite magnet**
 Horn: **Low/mid frequency speaker cone**
 Passive filter: **Epoxy printed circuit board, plastic-film capacitors, high-quality iron and air chokes, non-inductive wound resistors.**